

NOTES

- 1) Dimensions are general and intended for guidance only.
- 2) The upstream water level can be reduced depending on the design criteria. Please contact Hydro International for technical assistance.
- 3) The orientation and elevation of the inlet pipe can be adjusted to site requirements.

EQUIPMENT PERFORMANCE

The stormwater filtration system shall adhere to the parameters listed below:
 Minimum Performance Criteria: 80% removal of Sil-Co-Sil 106 at the peak treatment flow.
 Peak Treatment Flow: 300 gpm (18.93 l/s)

PARTS LIST		
ITEM	SIZE	DESCRIPTION
1	6 ft. x 12 ft.	PRECAST CONCRETE STRUCTURE
2	24.0 in.	INLET PIPE
3		FILTER MODULE (TYP.)
4	24.0 in.	OUTLET PIPE
5		ANGLED SCREEN (0.25 in. APERTURES)
6		SIPHONIC BYPASS/FLOATABLES BAFFLE
7		OUTLET MODULE (WITH OIL BAFFLE)
8		SUPPORT BRACKET (TYP.)

Notes

1.THIS DRAWING IS A LEDGER SIZE ORIGINAL.

EPL 08/31/06 FIRST ISSUE

Rev	By	Date	Description
		08/31/06	Scale 1/4"=1'
	EPL		Checked Eng.
			Approved by

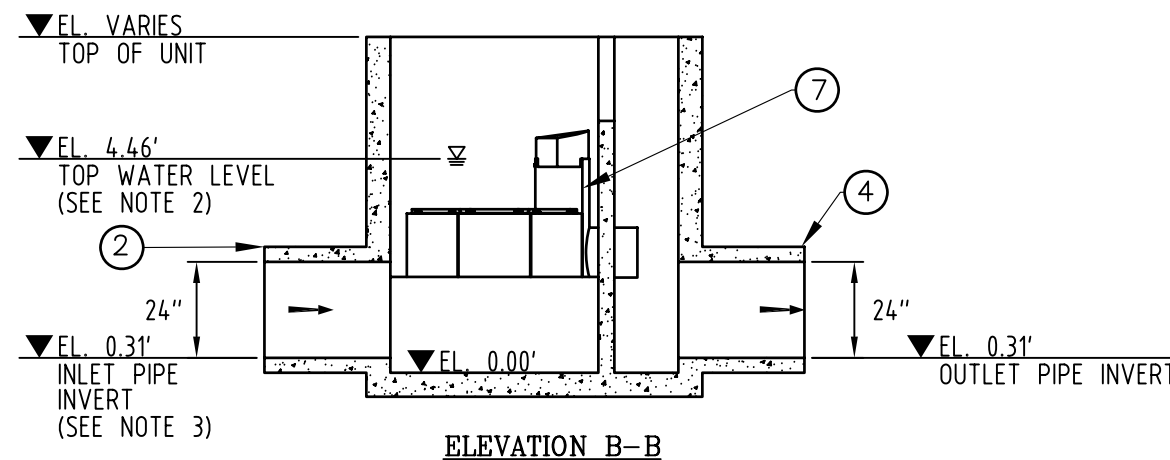
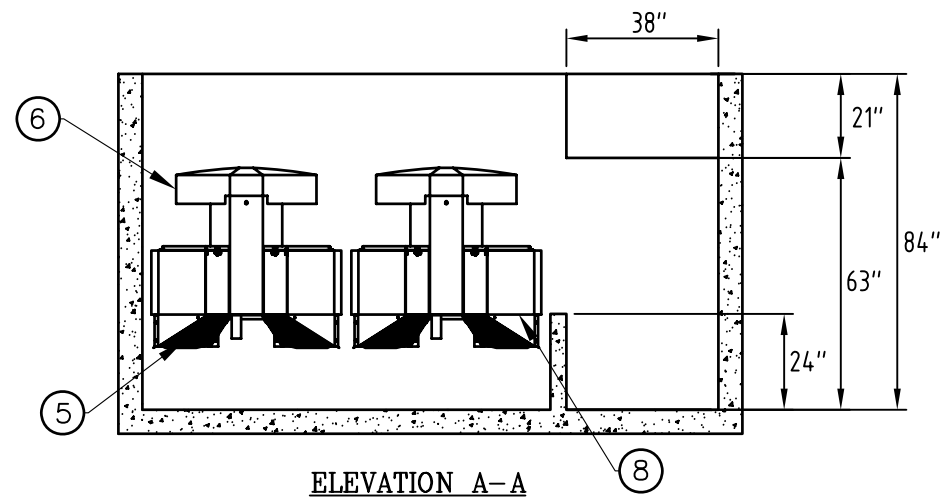
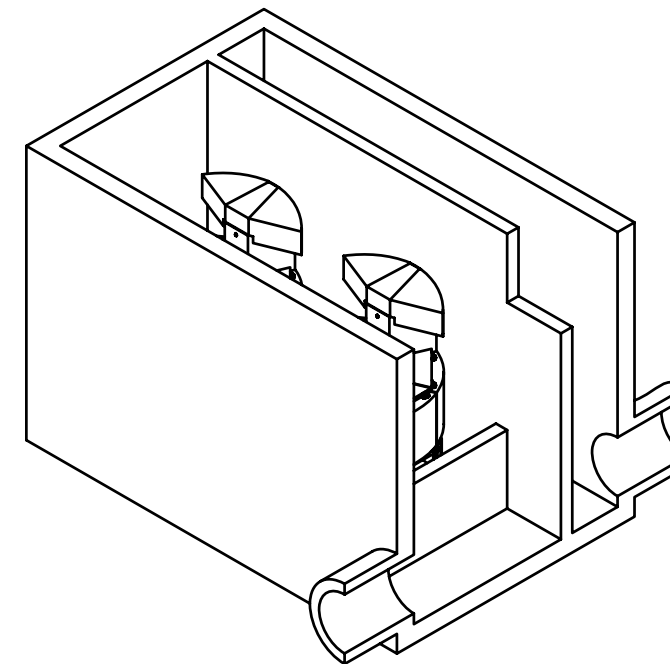
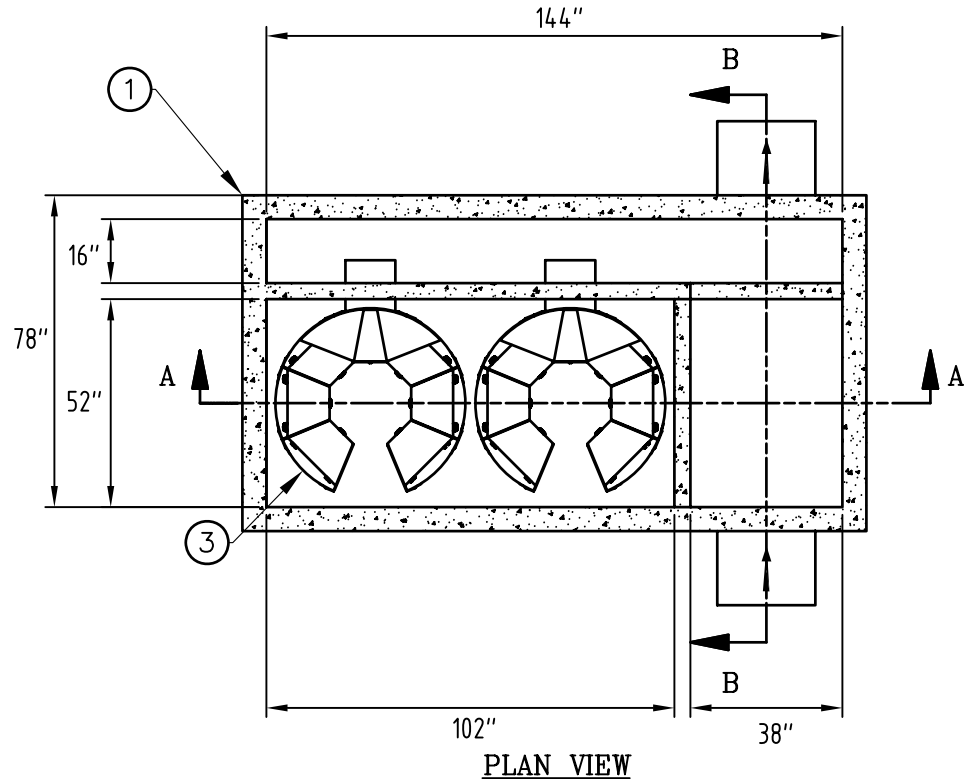
Title
 12 MODULE
 UP-FLO FILTER

GENERAL ARRANGEMENT



94 Hutchins Drive
 Portland, Maine 04102
 Tel: (207) 756-6200
 Fax: (207) 756-6212
 Email: hiltech@hil-tech.com

CAD Ref:	GA1
Project No.	
Drawing No.	GA1 Rev.



©2006 Hydro International
 Any warranty made by Hydro International only applies to those items supplied by it. Hydro International does not accept and expressly disclaims any responsibility or liability for any structure, plant or equipment (or the performance thereof) designed, built, manufactured or supplied by any third-party. Hydro International has a policy of continuous product development and reserves the right to amend the specifications of any of its products or equipment at any time. Hydro International expressly disclaims any liability for the performance of its equipment (or any part thereof) used or made subject to conditions outside of the conditions set forth in Hydro International's design specifications. Hydro International owns the copyright in and to this drawing, which is supplied in confidence, and all intended recipients of the drawing, by their use thereof, agree to hold the drawing in confidence and not to use it for any purpose other than for which it was supplied and not reproduce, in whole or in part, the drawing or any of the equipment or structures depicted therein, without prior written permission of Hydro International.