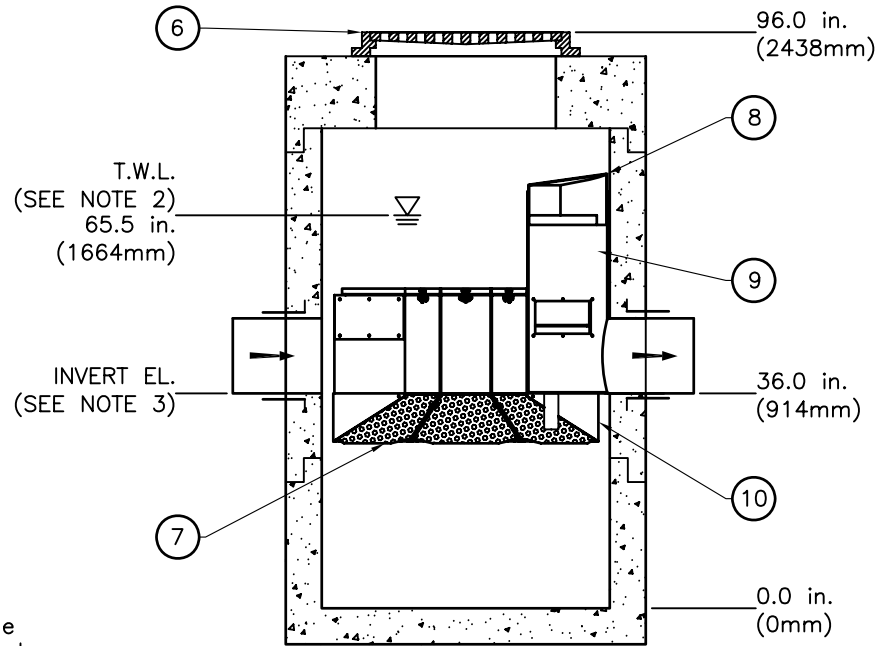
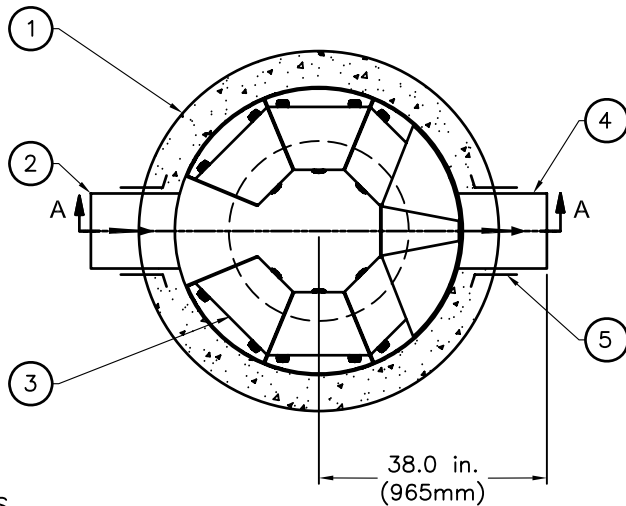


# SCHEMATIC ONLY - NOT FOR CONSTRUCTION



SECTION A-A

**NOTES**

- 1) Dimensions are general and intended for guidance only.
- 2) The upstream water level can be reduced depending on the design criteria. Please contact Hydro International for technical assistance.
- 3) The orientation and elevation of the inlet pipe can be adjusted to site requirements. See site plan for orientation.

**EQUIPMENT PERFORMANCE**

The stormwater filtration system shall adhere to the parameters listed below:

Minimum Performance Criteria: 80% removal of Sil-Co-Sil 106 at the peak treatment flow.

Peak Treatment Flow: 150 gpm (9.46 l/s)

Bypass Capacity: 2244 gpm (141.57 l/s)

Minimum Sump Storage Capacity: 29.3 cu. ft. (0.83 cu. m.)

Minimum Floatables Storage Capacity: 39.3 cu. ft. (1.11 cu. m.)

Minimum Oil Storage Capacity: 50 gal. (189 liters)

**PARTS LIST**

ITEM	SIZE	DESCRIPTION
1	48.0 in. 1219mm	I.D. CONCRETE MANHOLE
2	12.0 in. 305mm	INLET PIPE (OPTIONAL)
3		FILTER MODULE (TYP.)
4	12.0 in. 305mm	OUTLET PIPE
5		PIPE BOOT (TYP.)
6	30.0 in. 610mm	ROUND GRATE (TYP.)
7		ANGLED SCREEN (0.25 in. APERTURES)
8		SIPHONIC BYPASS/FLOATABLES BAFFLE
9		OUTLET MODULE (WITH OIL BAFFLE)
10		SUPPORT BRACKET (TYP.)

	EPL	05/25/06	FIRST ISSUE
Rev	By	Date	Description
Date		05/25/06	Scale 3/8"=1'
Drawn by	EPL		Checked Eng.
Checked Prod.			Approved by

Title  
4-FT. DIAMETER  
UP-FLO FILTER

6 MODULES

GENERAL ARRANGEMENT



94 Hutchins Drive  
Portland, Maine 04102  
tel: (207) 756-6200  
fax: (207) 756-6212  
email: hiltech@hil-tech.com

CAD Ref: GA1	
Project No.	
Drawing No. GA1	Rev.

© 2006 Hydro International  
Any warranty made by Hydro International only applies to those items supplied by it. Hydro International does not accept and expressly disclaims any responsibility or liability for any structure, plant or equipment (or the performance thereof) designed, built, manufactured or supplied by any third-party. Hydro International has a policy of continuous product development and reserves the right to amend the specifications of any of its products or equipment at any time. Hydro International expressly disclaims any liability for the performance of its equipment (or any part thereof) used or made subject to conditions outside of the conditions set forth in Hydro International's design specifications. Hydro International owns the copyright in and to this drawing, which is supplied in confidence, and all intended recipients of the drawing, by their use thereof, agree to hold the drawing in confidence and not to use it for any purpose other than for which it was supplied and not reproduce, in whole or in part, the drawing or any of the equipment or structures depicted therein, without prior written permission of Hydro International.